



Since its very beginning, SOPACOM Industry has been specializing in one activity: "Collective catering's installations" (ware-wash installations); it quickly became the European leader within its sector.

Industrial dishwashers must treat a significant amount of tableware pieces continuously. Given that the industrial dishwashers need to be permanently powered when in duty, a serious rigorous study of the environment where the installation will take place must be done.

As proven by our hundreds of projects, there's almost no obstacle to the implementation of our laundry installations; since they adapt to all horizontal and vertical paths around an organization; in a way, our installations may seem similar, but each one is certainly identical. Our installations may include, but are not limited to: Removal, selective sorting, transportation, Stall, Machine Input, Output machine Waste Treatment, Storage.

Our experience, our know-how, our listening capacity and responsiveness allowed us to design and produce the most comprehensive, sophisticated range of mechanical equipment.

The selective sorting:

No new generation ware wash or rehabilitation facilities are conceived without the establishment of a sorting zone, whether it's separated, or integrated with the trays' disposal.

It's much more than a trend, it meets the environmental criteria and allows better work flow.

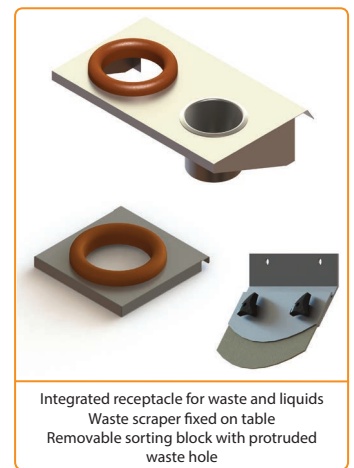
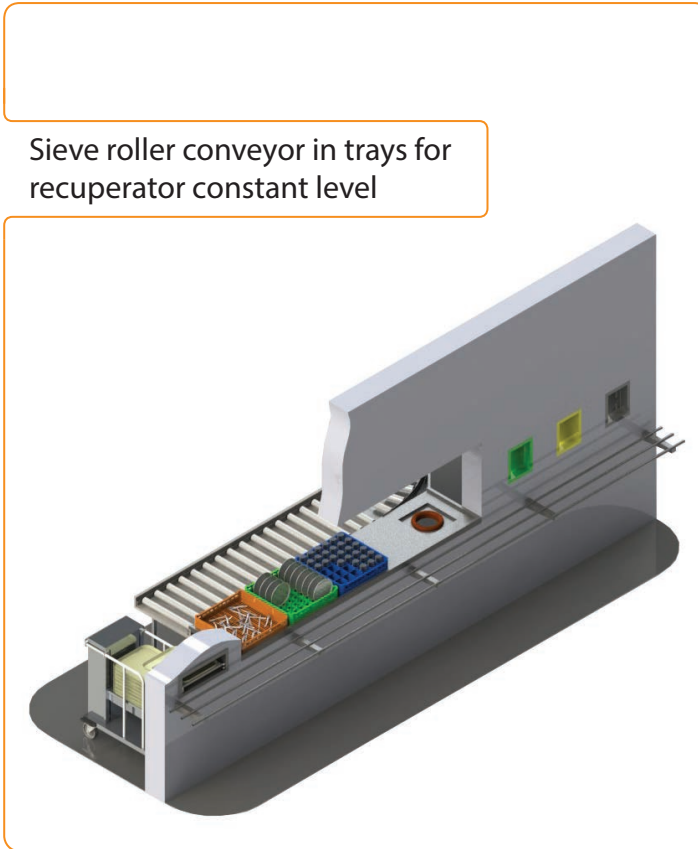
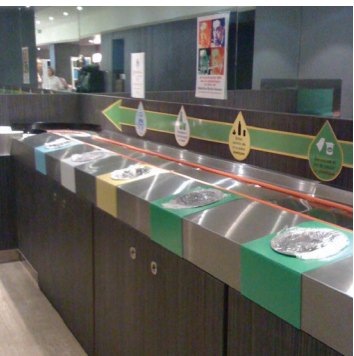
The upstream sorting also allows the integration of an organic waste compact mill within the ware wash; which significantly reduce the volume and cost of waste disposal.

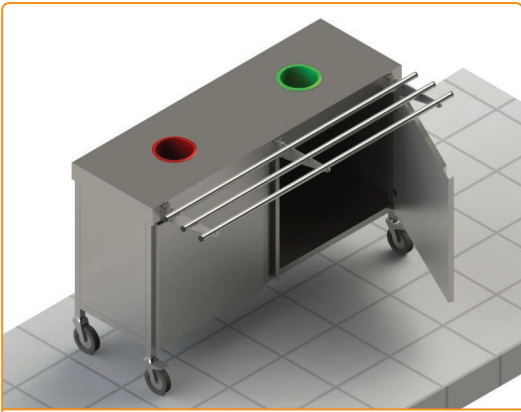
New printing technologies on stainless steel allow us to be the first to offer a customized decorated sorting area for a perfect integration, since we added the decor.

Our realization speak for us

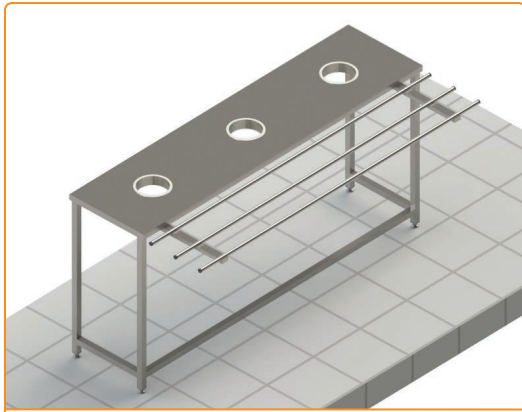
The *selective sorting*



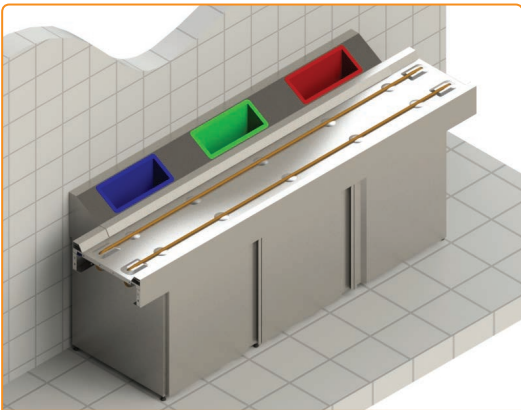




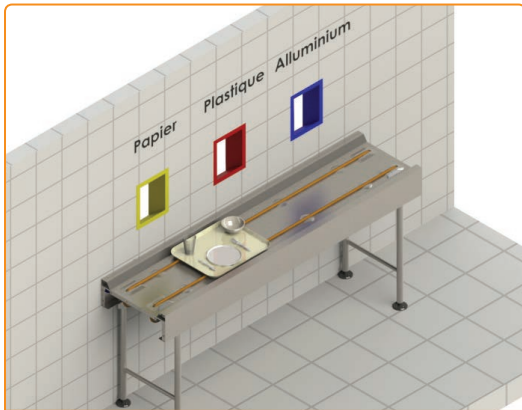
Mobile module



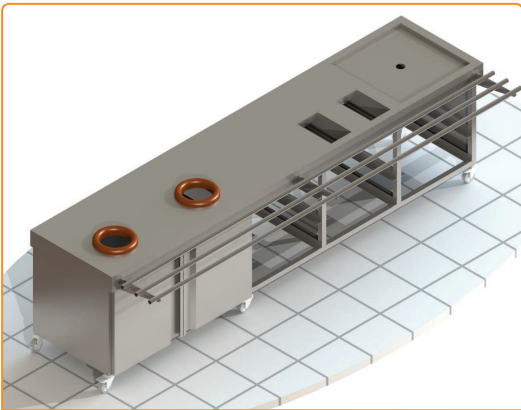
Selective sorting table
Options: peripheral cladding , mobile bins



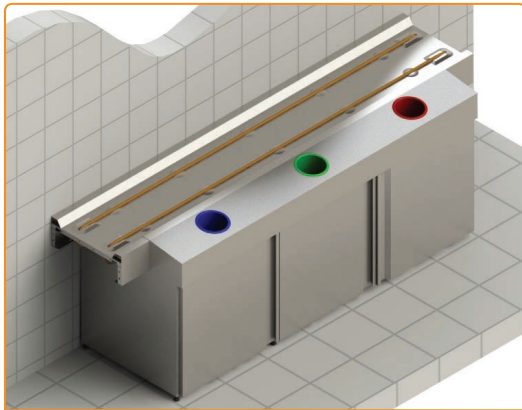
Module for rear selective sorting



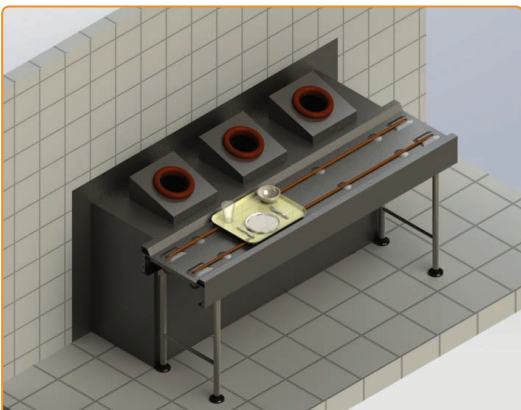
Selective sorting with wall gutters



Pre- sorting module
Restoration primary school



Module for front selective sorting



?????

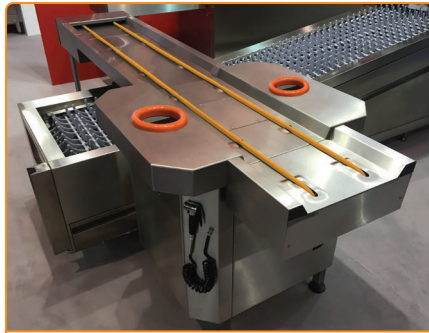


Block of selective sorting
On mobile wagon





Integrated grinding unit
(Transroll)



Integrated grinding unit
(Polycord)



Integrated grinding unit
(Tabling)



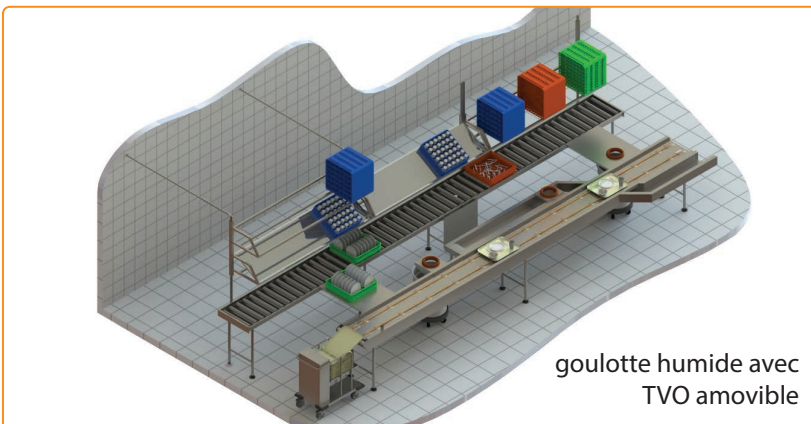
Mill and regulator
waste flow



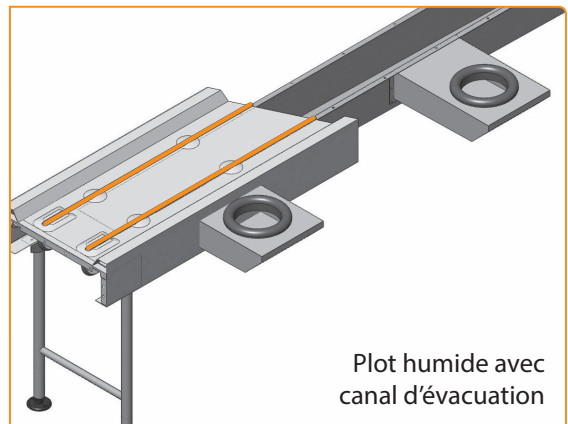
Refrigerated trash
1 à 3 doors



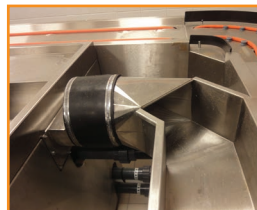
Autonomous grinding unit



goulotte humide avec
TVO amovible



Plot humide avec
canal d'évacuation



ZA du Moulin Neuf - 10, rue Eugène Hénaff
93240 STAINS - tél : +33 1 48 27 40 30 fax : +33 1 48 27 05 99
sopacom-industrie@wanadoo.fr www.sopacom-industrie.fr